

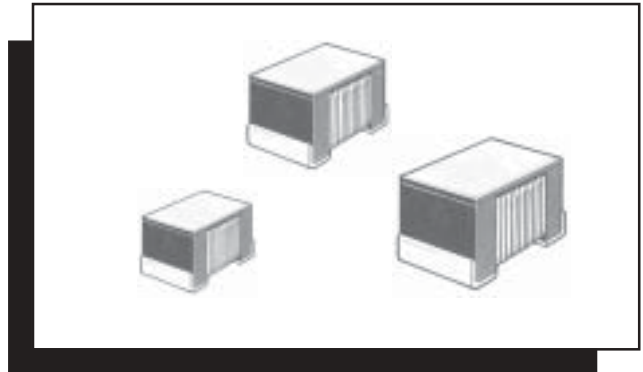
MEGGITT SIGMA  
AXIAL INDUCTORS  
SMD INDUCTORS  
THIN FILM PRINTED INDUCTORS  
POWER CHOKES IN  
RADIAL AND AXIAL STYLE

---

## Low Inductance, High Frequency Chip Inductor

### TYPE 3650 SERIES

---



---

The 3650 Series is a new concept from Meggitt Sigma, a range of inductors in values from 1.0 nanohenry to 4.7 microhenries. The 3650 is available in four package sizes and is designed for automatic placement.

---

### MEGGITT SIGMA KEY FEATURES

---

- CHOICE OF FOUR PACKAGE SIZES
  - WIRE WOUND CONSTRUCTION
  - SMOOTH TOP AIDS PLACEMENT
  - 1.0NH TO 4.7 $\mu$ H VALUE RANGE
  - LABORATORY DESIGN KITS AVAILABLE
  - HIGH Q FACTOR
  - HIGH S.R.F
  - STANDARD TOLERANCES
- 

---

MEGGITT ELECTRONIC  
COMPONENTS LTD

SALES ACTION DESK  
TEL: +44 (0) 1793 868400  
FAX: +44 (0) 1793 868401  
EMAIL: [sales@meggittlelectronics.com](mailto:sales@meggittlelectronics.com)  
WEB SITE: [www.meggittlelectronics.com](http://www.meggittlelectronics.com)

ELECTRICAL

**0402 Package**

Inductance Code	Inductance (nH)	Tolerance (± %)	Q Min	Measuring Freq. (Mhz)	S.R.F. (MHz)	Rdc Max (ohms)	Idc (mA) Max
1N0	1.0	5/10	16	250	6000	0.045	1360
2N0	2.0	5/10	16	250	6000	0.070	1040
2N2	2.2	5/10	19	250	6000	0.070	960
3N3	3.3	5/10	19	250	6000	0.066	840
3N6	3.6	5/10	19	250	6000	0.066	840
3N9	3.9	5/10	19	250	5800	0.066	840
5N1	5.1	5/10	20	250	5800	0.083	800
5N6	5.6	5/10	20	250	5800	0.083	760
6N2	6.2	5/10	20	250	5800	0.083	760
7N5	7.5	5/10	22	250	5800	0.104	680
8N2	8.2	5/10	22	250	4400	0.104	680
9N0	9.0	5/10	22	250	4160	0.104	680
10N	10.0	5/10	21	250	3900	0.195	480
11N	11.0	5/10	24	250	3680	0.120	640
12N	12.0	5/10	24	250	3600	0.120	640
15N	15.0	5/10	24	250	3280	0.172	560
19N	19.0	5/10	24	250	3040	0.202	480
23N	23.0	5/10	24	250	2720	0.214	400
27N	27.0	5/10	24	250	2480	0.298	400
36N	36.0	5/10	24	250	2320	0.403	320
40N	40.0	5/10	24	250	2240	0.438	320
47N	47.0	5/10	20	250	2200	0.830	150

**0603 Package**

Inductance Code	Inductance (nH)	Tolerance (± %)	Q Min	Measuring Freq. (Mhz)	S.R.F. (MHz)	Rdc Max (ohms)	Idc (mA) Max
1N6	1.6	5/10	24	250	12500	0.030	700
1N8	1.8	5/10	16	250	12500	0.045	700
3N6	3.6	5/10	22	250	6900	0.063	700
3N9	3.9	5/10	22	250	6900	0.080	700
4N3	4.3	5/10	22	250	5900	0.063	700
4N7	4.7	5/10	20	250	5800	0.116	700
6N8	6.8	2/5/10	27	250	5800	0.110	700
7N5	7.5	2/5/10	28	250	4800	0.106	700
8N7	8.7	2/5	28	250	4600	0.109	700
10N	10.0	2/5	31	250	4800	0.130	700
11N	11.0	2/5	33	250	4000	0.086	700
12N	12.0	2/5	35	250	4000	0.130	700
15N	15.0	2/5	35	250	4000	0.170	700
16N	16.0	2/5	34	250	3300	0.104	700
18N	18.0	2/5	35	250	3100	0.170	700
22N	22.0	2/5	38	250	3000	0.190	700
24N	24.0	2/5	37	250	2650	0.135	700
27N	27.0	2/5	40	250	2800	0.220	600
30N	30.0	2/5	37	250	2250	0.144	600
33N	33.0	2/5	40	250	2300	0.220	600
36N	36.0	2/5	38	250	2080	0.250	600
39N	39.0	2/5	40	250	2200	0.250	600
43N	43.0	2/5	39	250	2000	0.280	600
47N	47.0	2/5	38	200	2000	0.280	600
56N	56.0	2/5	38	200	1900	0.310	600
68N	68.0	2/5	37	200	1700	0.340	600
72N	72.0	2/5	34	150	1700	0.490	400
82N	82.0	2/5	34	150	1700	0.540	400
R10	100.0	2/5	34	150	1400	0.580	400
R11	110.0	2/5	32	150	1350	0.610	300
R12	120.0	2/5	32	150	1300	0.650	300
R15	150.0	2/5	32	150	1400	1.400	160
R18	180.0	2/5	25	100	1300	2.200	140
R22	220.0	2/5	25	100	1200	2.500	120
R27	270.0	2/5	24	100	900	2.300	170
R33	330.0	2/5	30	100	800	3.000	100
R39	390.0	2/5	30	100	700	3.700	80

ELECTRICAL (cont.)

**0805 Package**

Inductance Code	Inductance (nH)	Tolerance (± %)	Q Min	Measuring Freq. (Mhz)	S.R.F. (MHz)	Rdc Max (ohms)	Idc (mA) Max
3N3	3.3	5/10/20	50	1500	6000	0.08	600
6N8	6.8	5/10/20	50	1000	5500	0.11	600
8N2	8.2	5/10/20	50	1000	4700	0.12	600
12N	12.0	5/10/20	50	500	4000	0.15	600
15N	15.0	5/10/20	50	500	3400	0.17	600
18N	18.0	5/10/20	50	500	3300	0.20	600
22N	22.0	5/10/20	55	500	2600	0.22	500
27N	27.0	5/10/20	55	500	2500	0.25	500
33N	33.0	5/10/20	60	500	2050	0.27	500
39N	39.0	5/10/20	60	500	2000	0.29	500
47N	47.0	5/10/20	60	500	1650	0.31	500
56N	56.0	2/5/10	60	500	1550	0.34	500
68N	68.0	2/5/10	60	500	1450	0.38	500
82N	82.0	2/5/10	65	500	1300	0.42	400
R10	100.0	2/5/10	65	500	1200	0.46	400
R12	120.0	2/5/10	50	250	1100	0.51	400
R15	150.0	2/5/10	50	250	920	0.56	400
R18	180.0	2/5/10	50	250	870	0.64	400
R22	220.0	2/5/10	50	250	850	0.70	400
R27	270.0	2/5/10	48	250	650	1.00	350
R33	330.0	2/5/10	48	250	600	1.40	310
R39	390.0	2/5/10	48	250	560	1.50	290

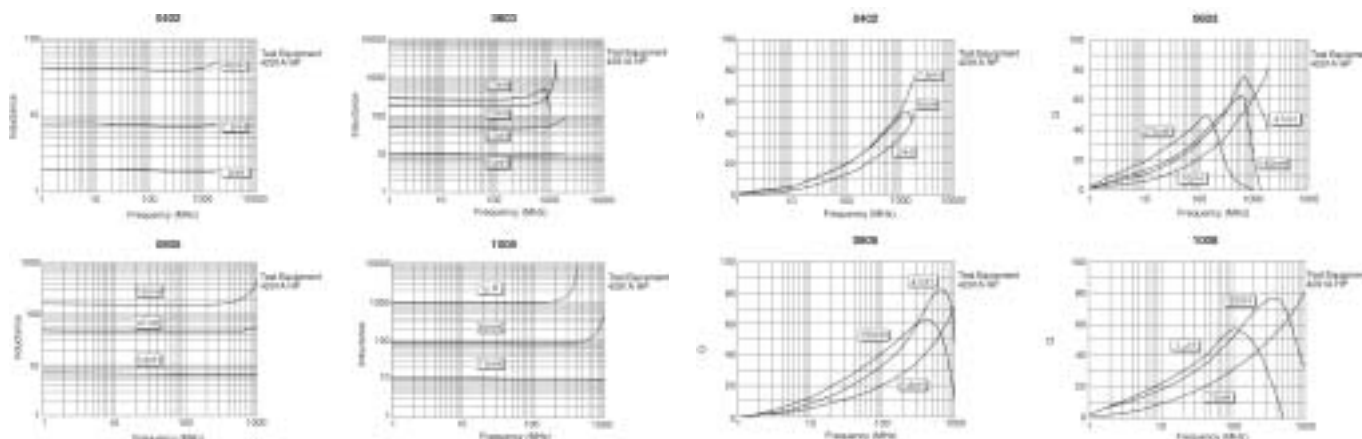
**1008 Package**

Inductance Code	Inductance (nH)	Tolerance (± %)	Q Min	Measuring Freq. (Mhz)	S.R.F. (MHz)	Rdc Max (ohms)	Idc (mA) Max
10N	10.0	5/10/20	50	500	4100	0.08	1000
12N	12.0	5/10/20	50	500	3300	0.09	1000
15N	15.0	5/10/20	50	500	3000	0.10	1000
18N	18.0	5/10/20	50	350	2500	0.11	1000
22N	22.0	5/10/20	55	350	2400	0.12	1000
27N	27.0	5/10/20	55	350	1600	0.13	1000
33N	33.0	5/10/20	60	350	1600	0.14	1000
39N	39.0	5/10/20	60	350	1500	0.15	1000
47N	47.0	5/10/20	65	350	1500	0.16	1000
56N	56.0	2/5/10	65	350	1300	0.18	1000
68N	68.0	2/5/10	65	350	1300	0.20	1000
82N	82.0	2/5/10	60	350	1000	0.22	1000
R10	100.0	2/5/10	60	350	1000	0.56	800
R12	120.0	2/5/10	60	350	950	0.63	800
R15	150.0	2/5/10	45	100	850	0.70	800
R18	180.0	2/5/10	45	100	750	0.77	750
R22	220.0	2/5/10	45	100	700	0.84	720
R27	270.0	2/5/10	45	100	600	0.91	690
R33	330.0	2/5/10	45	100	570	1.05	660
R39	390.0	2/5/10	45	100	500	1.12	630
R47	470.0	2/5/10	45	100	450	1.19	600
R56	560.0	2/5/10	45	100	415	1.33	580
R62	620.0	2/5/10	45	100	375	1.40	560
R68	680.0	2/5/10	45	100	375	1.47	540
R75	750.0	2/5/10	45	100	360	1.54	520
R82	820.0	2/5/10	45	100	350	1.61	500
R91	910.0	2/5/10	35	50	320	1.68	480
1R0	1000.0	2/5/10	35	50	290	1.75	460
1R2	1200.0	2/5/10	35	50	250	2.00	440
1R5	1500.0	2/5/10	28	50	200	2.30	420
1R8	1800.0	2/5/10	28	50	160	2.60	400
2R2	2200.0	2/5/10	28	50	160	2.80	380
2R7	2700.0	2/5/10	22	25	140	3.20	360
3R3	3300.0	2/5/10	22	25	110	3.40	350
3R9	3900.0	2/5/10	20	25	100	3.60	340
4R7	4700.0	2/5/10	20	25	90	4.00	330
5R6	5600.00	2/5/10	15	7.9	80	2.20	150
6R8	6800.00	2/5/10	15	7.9	70	2.50	150
8R2	8200.00	2/5/10	15	7.9	65	2.80	150
10R	10000.00	2/5/10	15	7.9	60	3.20	150

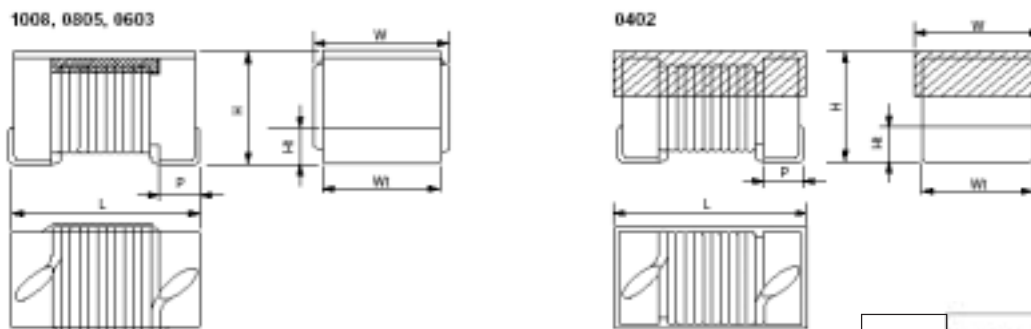
CHARACTERISTICS

Inductance v Frequency Characteristics

Q v Frequency Characteristics



DIMENSIONS



		Dimensions mm					
		L	W	H	W1	H1	P
1E	0402	1.1±0.1	0.50±0.1	0.50±0.1	0.5±0.1	0.15±0.05	0.25±0.05
1J	0603	1.6±0.1	1.0±0.1	0.9±0.1	0.8±0.1	0.15±0.05	0.35±0.05
2A	0805	2.0±0.2	1.3±0.2	1.3±0.2	1.0±0.1	0.40±0.1	0.48±0.05
2C	1008	2.5±0.2	2.2±0.2	1.8±0.1	2.0±0.1	0.45±0.1	0.48±0.05

All Dimensions are nominal and in mm unless otherwise shown. Do Not Scale.

PACKAGING

- 0402 Size (1E) ~ 2000 pieces per 7" Reel
- 0603 Size (1J) ~ 2000 pieces per 7" Reel
- 0805 Size (2A) ~ 2000 pieces per 7" Reel
- 1008 Size (2C) ~ 2000 pieces per 7" Reel

HOW TO ORDER

3650	1E	R10	J
COMMON PART	PACKAGE SIZE	INDUCTANCE VALUE	TOLERANCE
3650 Series	1E - 0402 1J - 0603 2A - 0805 2C - 1008	See relevant table for inductance code	G - ± 2% J - ± 5% K - ± 10% M - ± 20%

**M** Meggitt Electronic Components Ltd. Ohmic House, Westmead Industrial Estate, Swindon, Wilts. SN5 7US  
 Tel: +44 (0) 1793 868400 - Email: sales@meggittelectronics.com - Fax: +44 (0) 1793 868401  
 This publication is issued to provide outline information only and (unless specifically agreed to the contrary by the Company in writing) is not to form part of any order or be regarded as a representation relating to the products or service concerned. We reserve the right to alter without notice the specification, design, price or conditions of supply of any product or service. Whilst Meggitt Electronic Components products are of the very highest quality and reliability, all electronic components can occasionally be subject to failure. Where failure of a Meggitt Electronic Components product could result in life threatening consequences, then the circuit and application must be discussed with the Company. Such areas might include ECG, respiratory, and other medical and nuclear applications and any non fail safe applications circuit.